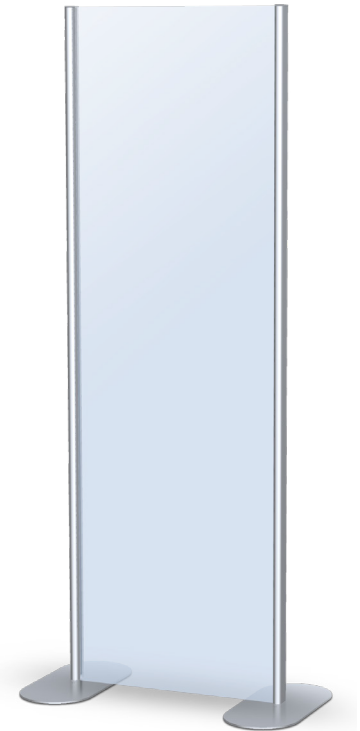
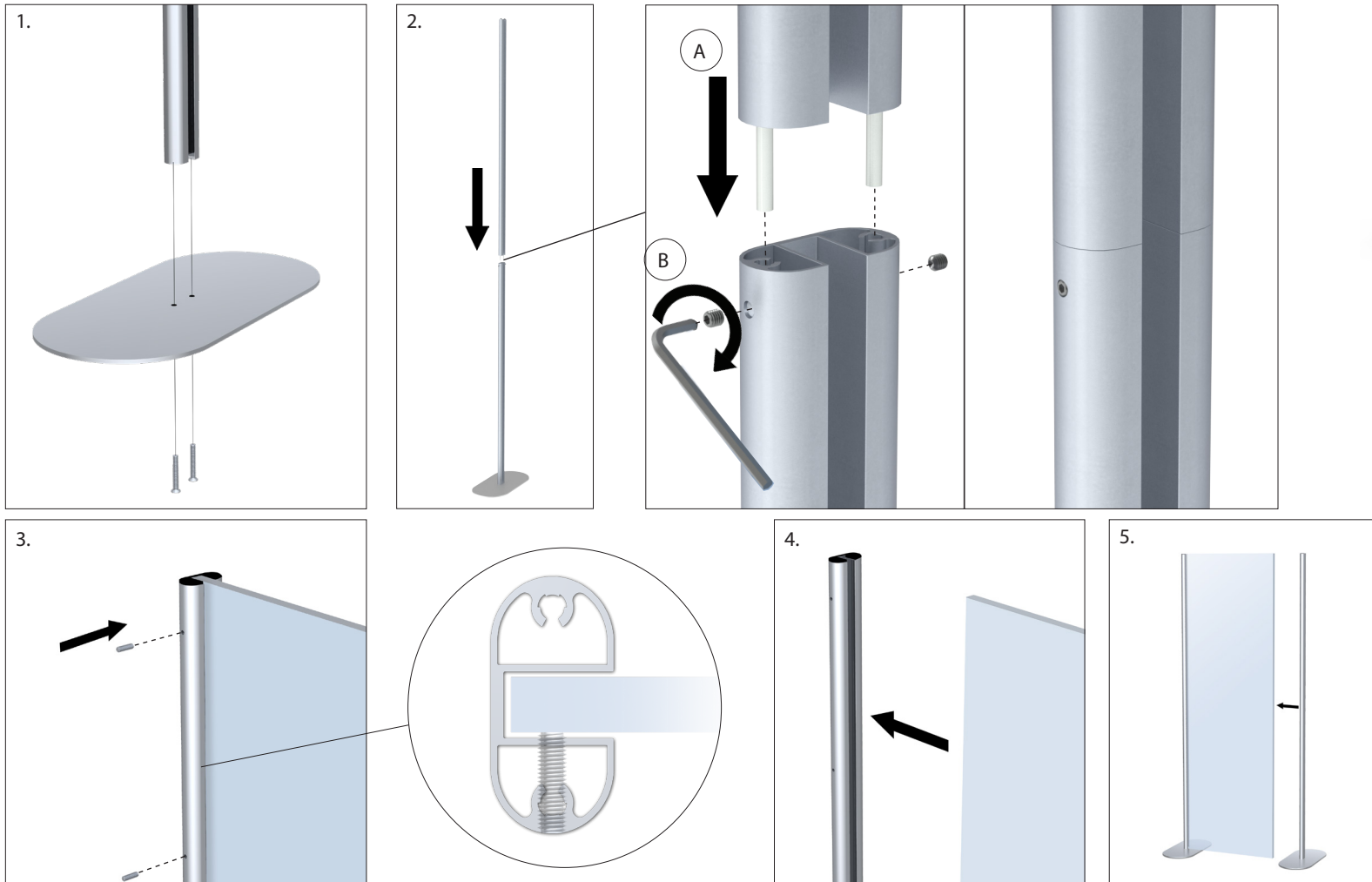


Skyscraper Mightee Mount™ - SKMM Series

For ALL 96" units (SKMM8, SKMS8, SKCU8, SKRA8, SKTR8, SKX8) or taller, the uprights are split in half. Each upper section will have to two pre-attached joining rods sticking out of the bottom.

1. Attach each upright (or bottom upright section if upright is split in half) to each base using screws provided.
2. **IF UPRIGHT IS SPLIT IN HALF:** Fully insert the rods of the upper section into the semi-circular holes inside the bottom upright. Fasten the upper section to the bottom section using the short hex screws provided. Attach one screw from the front face and one screw from the back face of each upright. Only tighten screws enough for screw to come to a stop with MINIMAL effort. **OVERTIGHTENING MAY CAUSE INDENTING OF THE FACE OF THE LOWER UPRIGHT.**
3. Place graphic in the upright channel.
4. Fasten graphic into place using headless set screws provided.
5. Attach second upright to graphic and fasten using headless set screws provided.

NOTE: Model shown below may differ from your model, but assembly instructions remain the same.



SKMM6 shown

Skyscraper Mightee Mount™ - with SKCU, SKRA

For ALL 96" units (SKMM8, SKMS8, SKCU8, SKRA8, SKTR8, SKX8) or taller, the uprights are split in two sections. Each upper section will have to two pre-attached joining rods sticking out of the bottom.

1. Attach each upright (or bottom upright section if upright is in two sections) to each base using screws provided.
2. **FOR THE TWO-SECTION UPRIGHTS ONLY:** See step 2 on page 1.
3. Place graphic in the upright channel.
4. Fasten graphic into place using headless set screws provided.
5. Attach next upright to graphic.
6. Fasten graphic into place using headless set screws provided.

NOTE: Model shown below may differ from your model, but assembly instructions remain the same.

